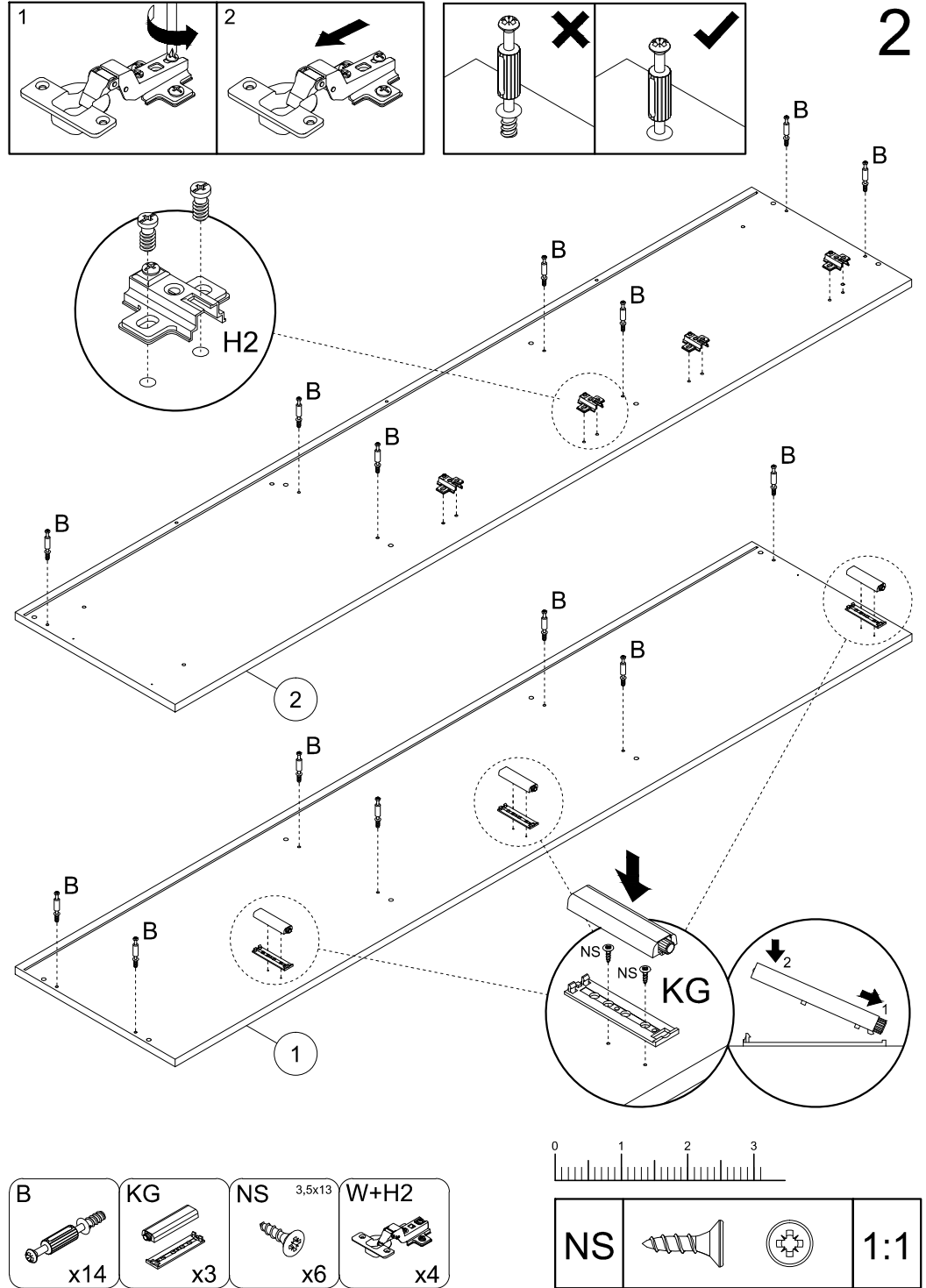
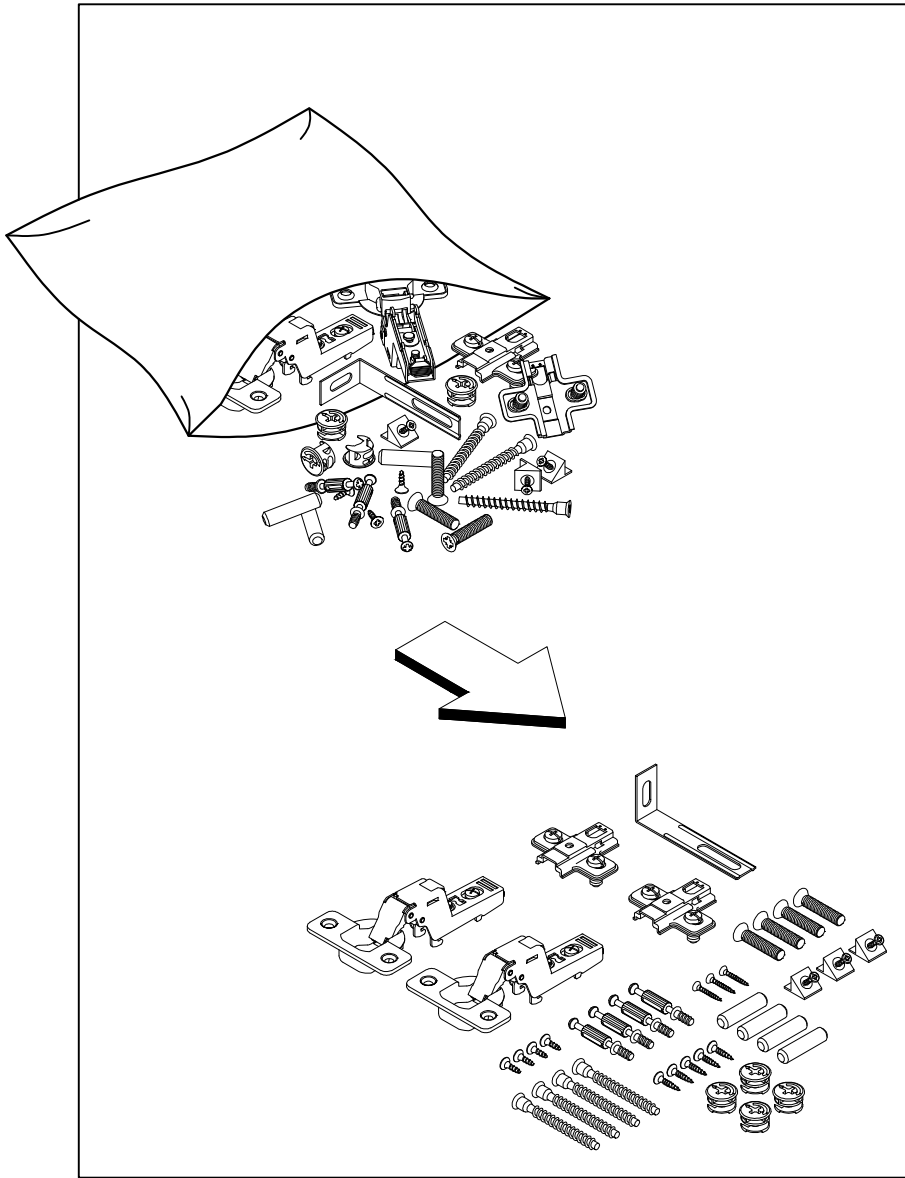
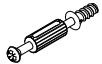
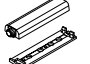

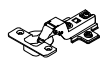
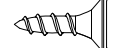



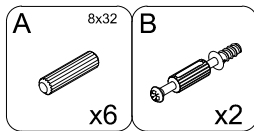
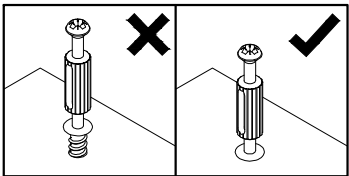
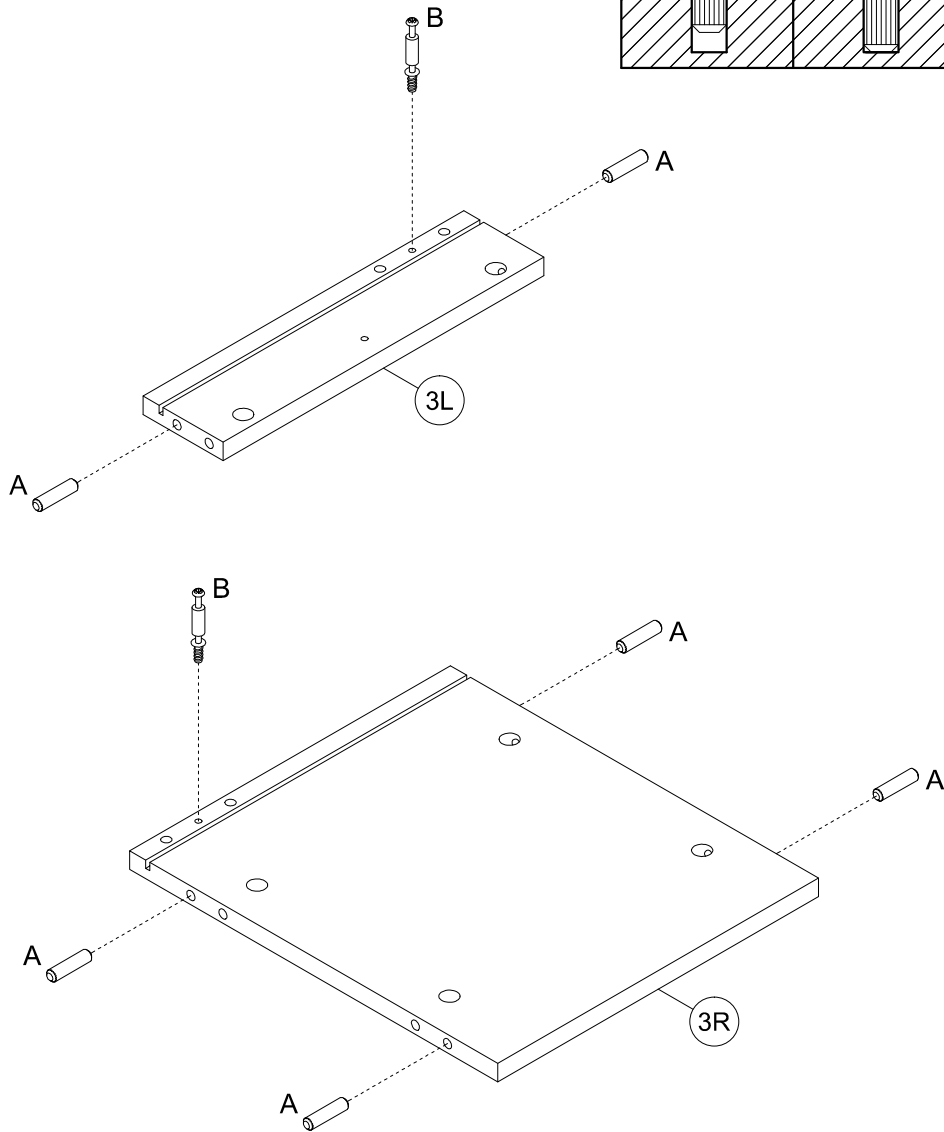
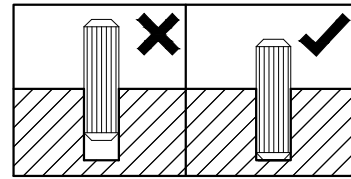
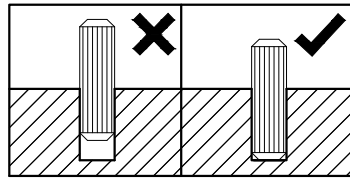
1



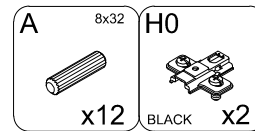
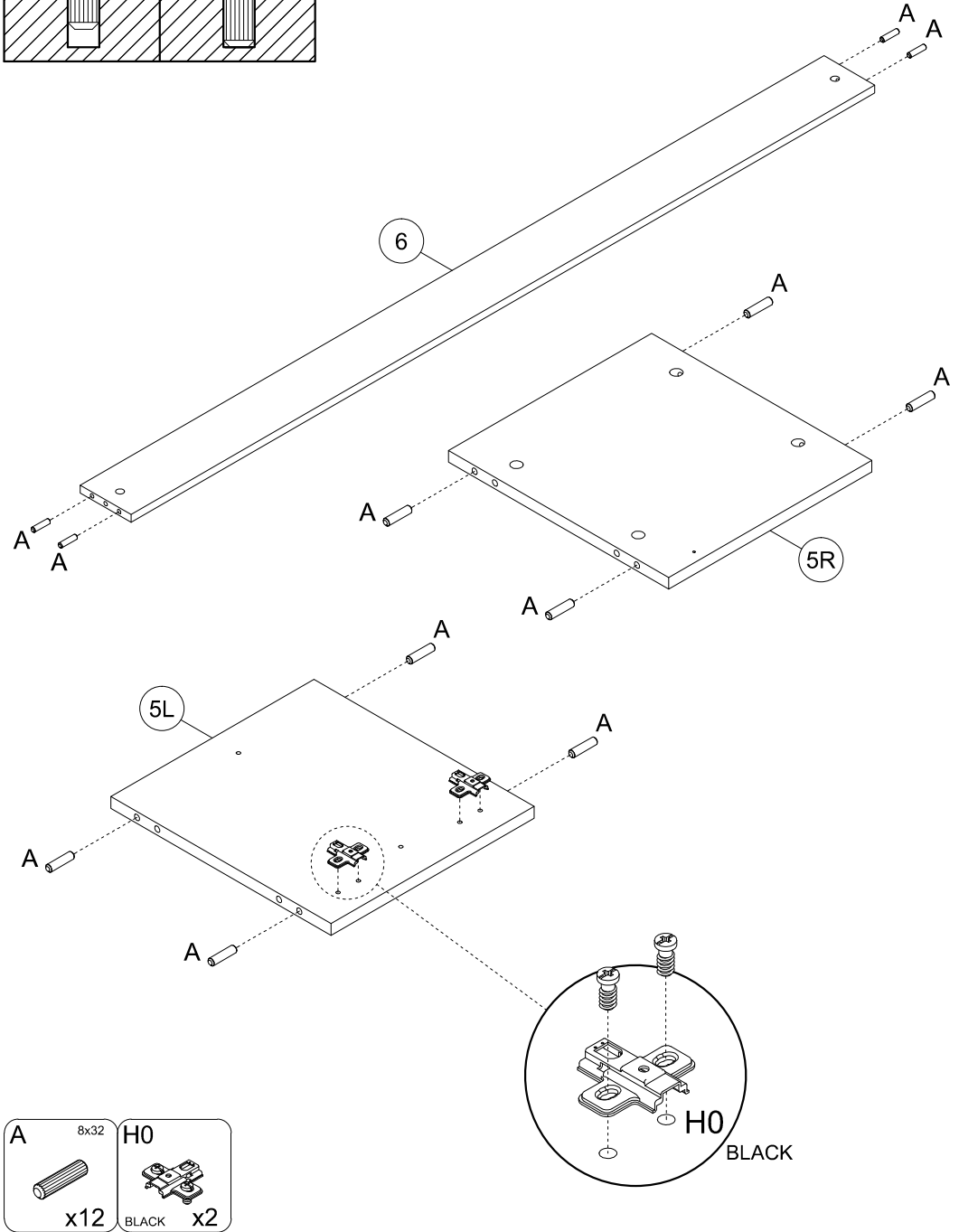
B  x14	KG  x3	NS 3.5x13  x6	W+H2  x4
--	--	---	--

0	1	2	3
NS			1:1

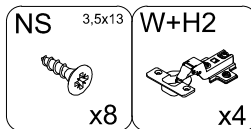
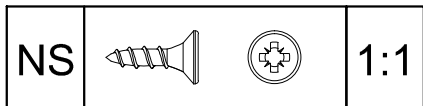
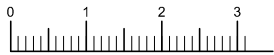
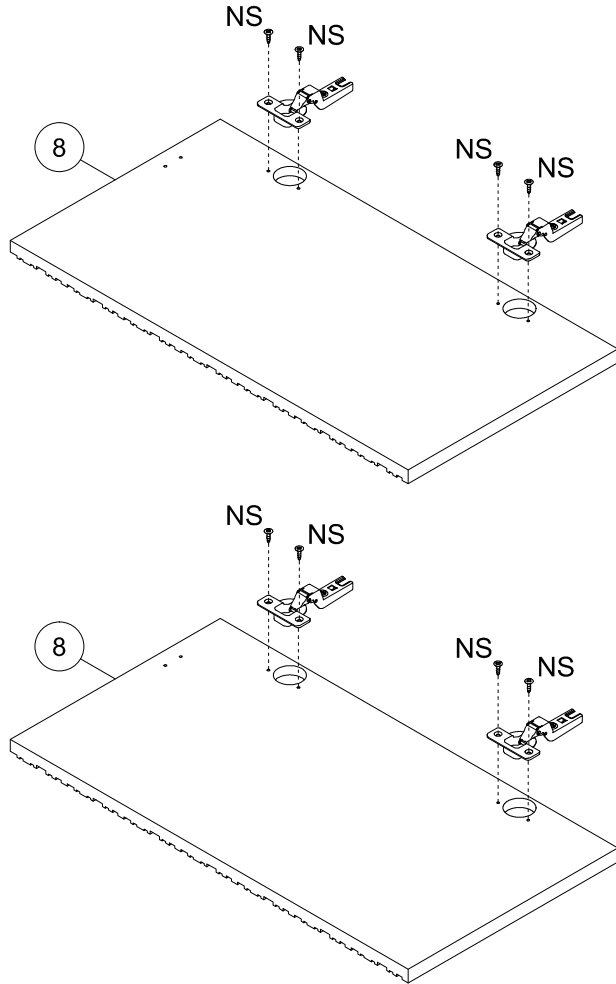
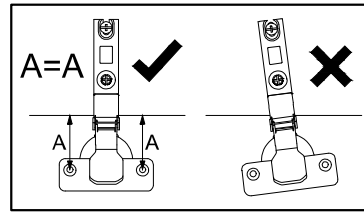
3



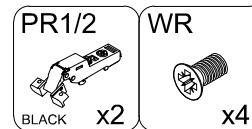
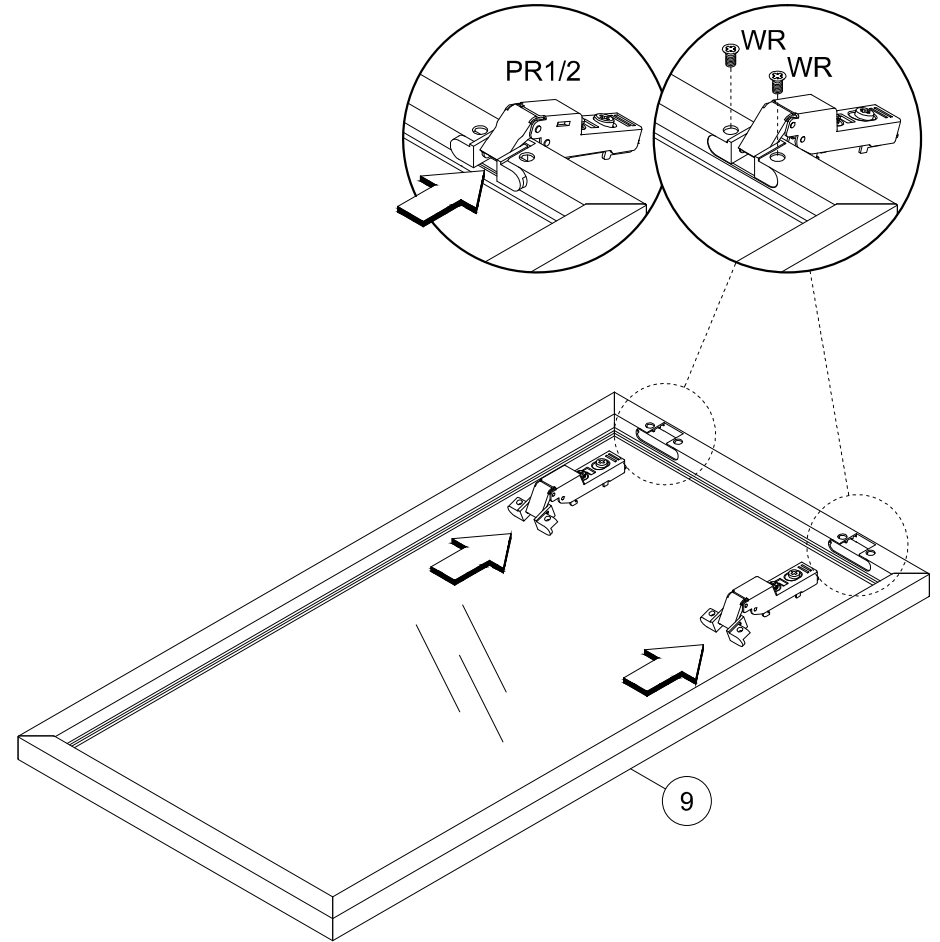
4



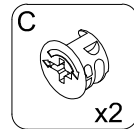
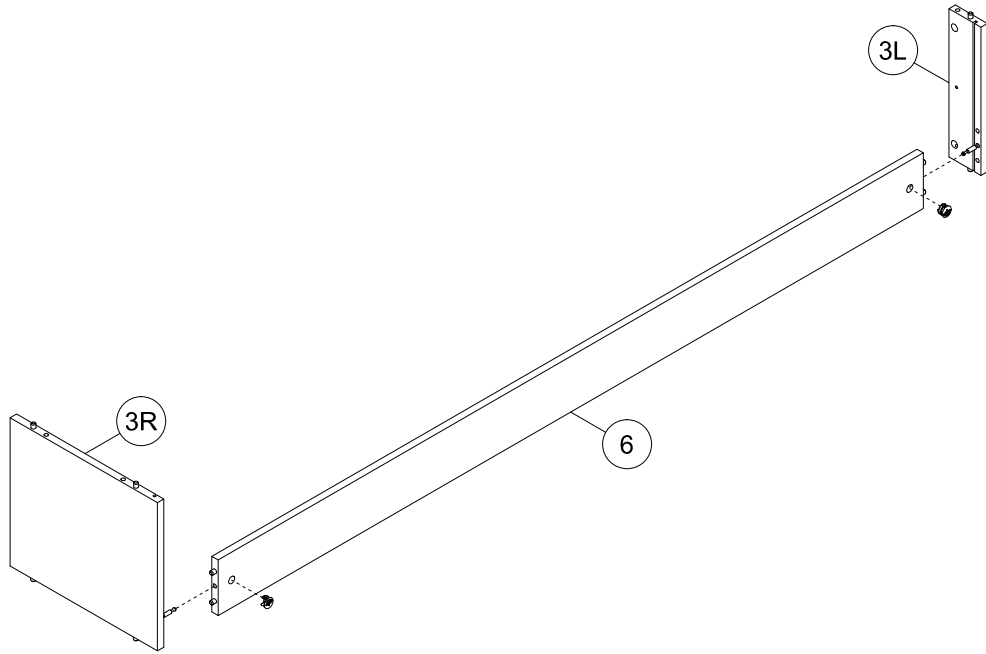
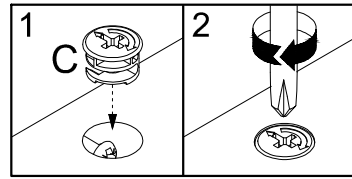
5



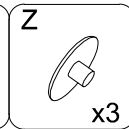
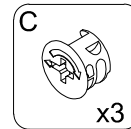
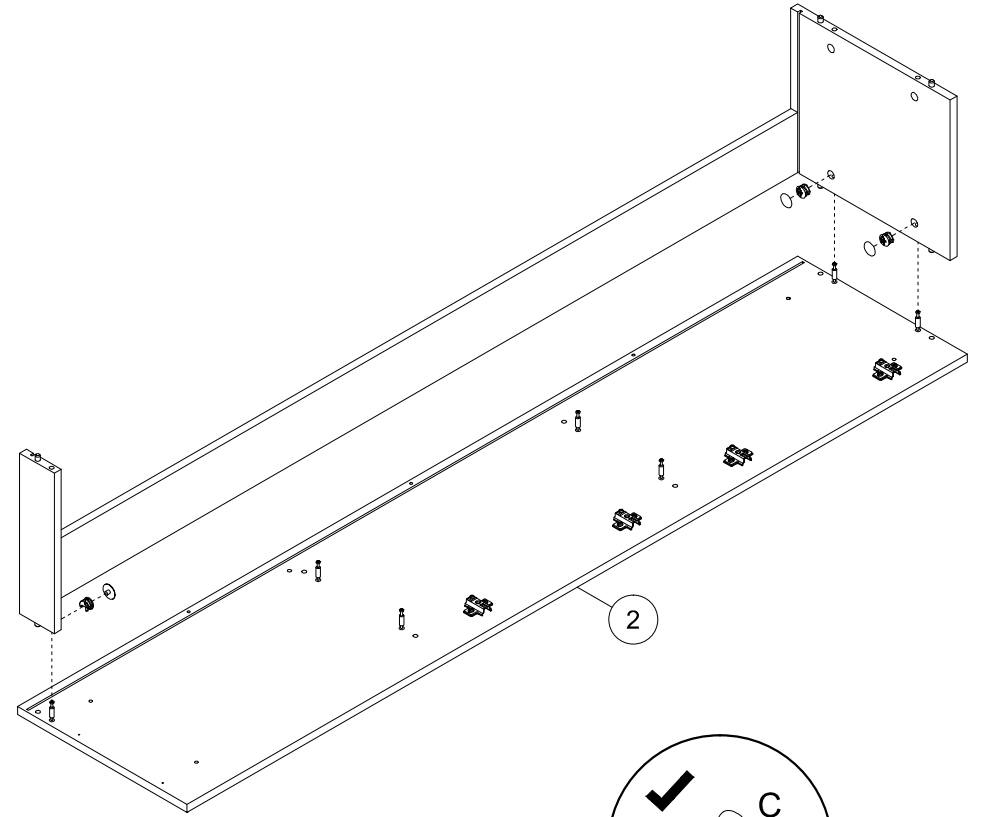
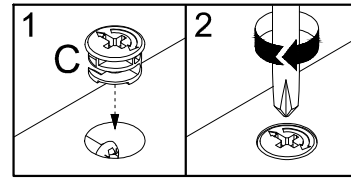
6



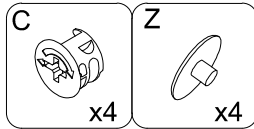
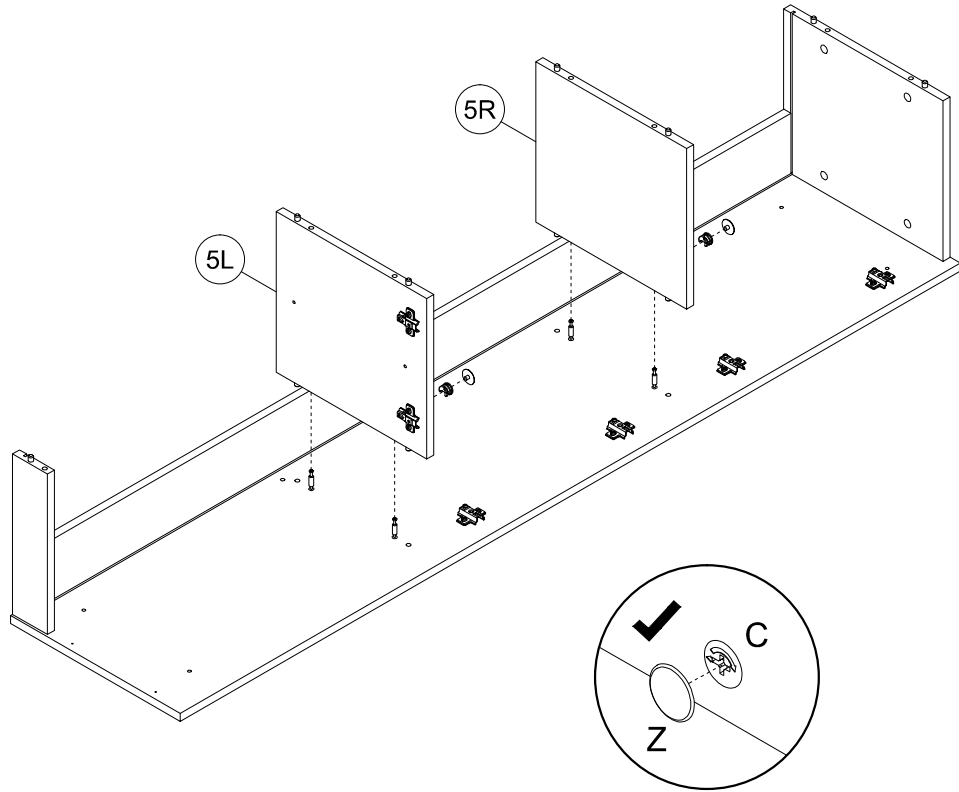
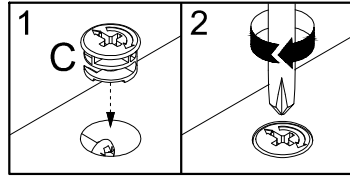
7



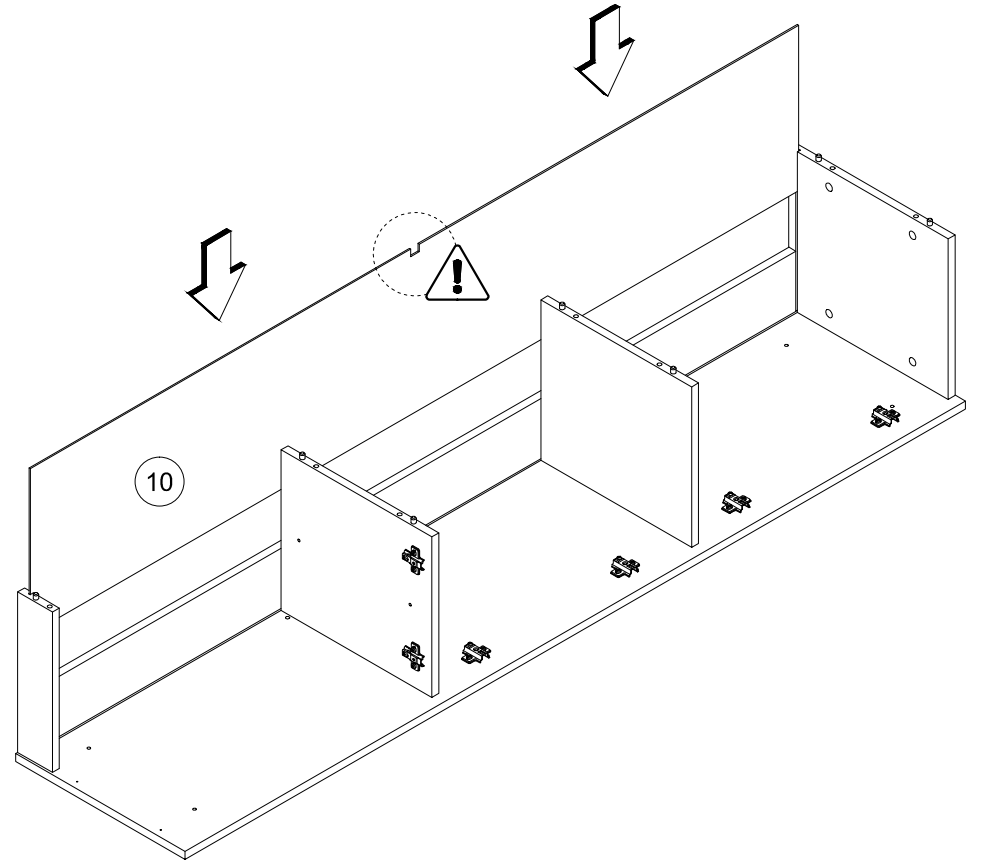
8



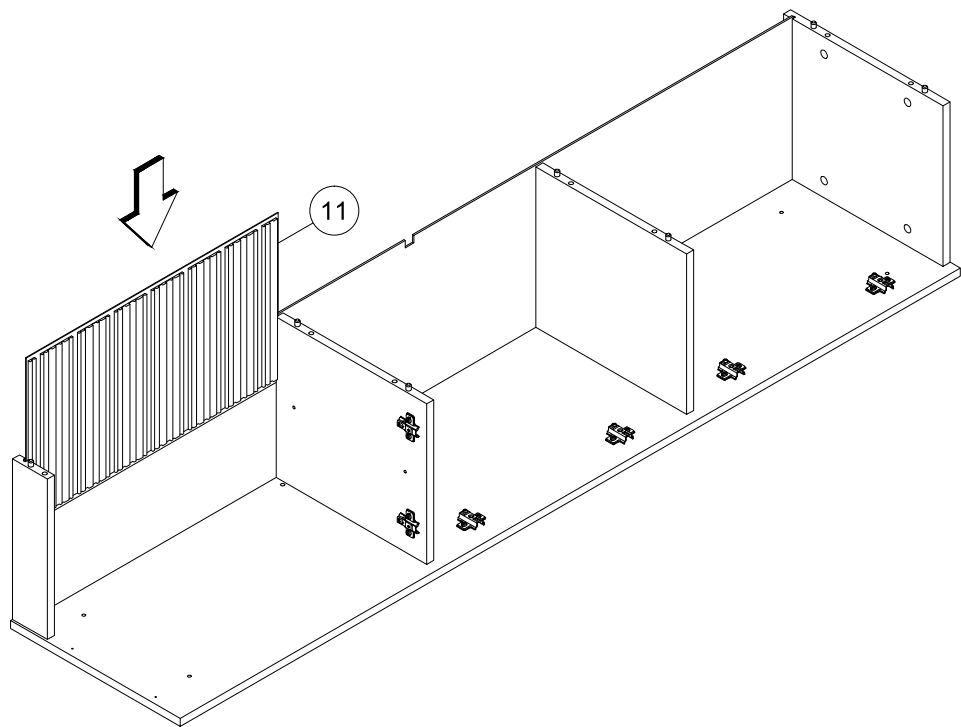
9



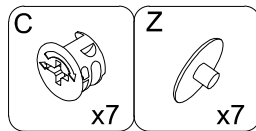
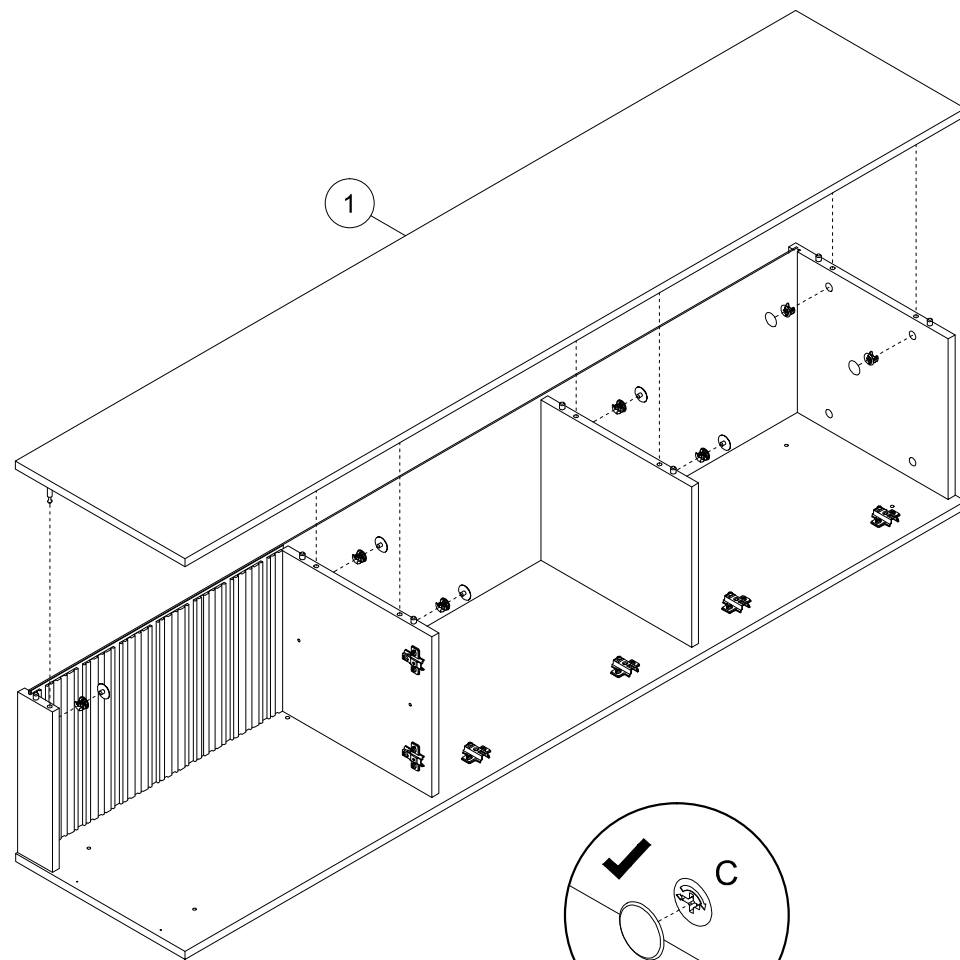
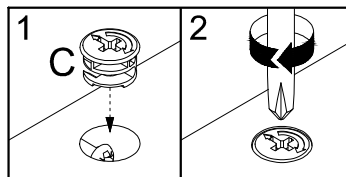
10



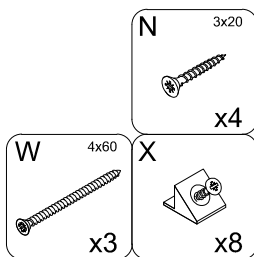
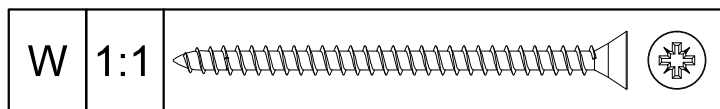
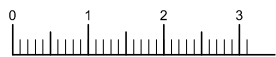
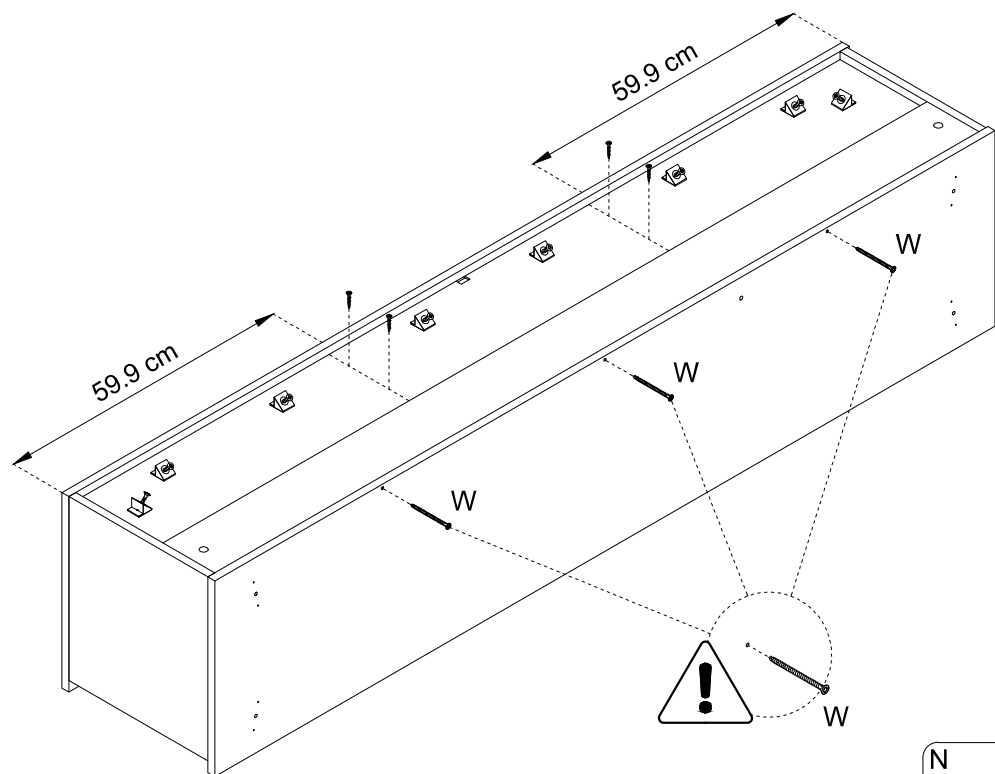
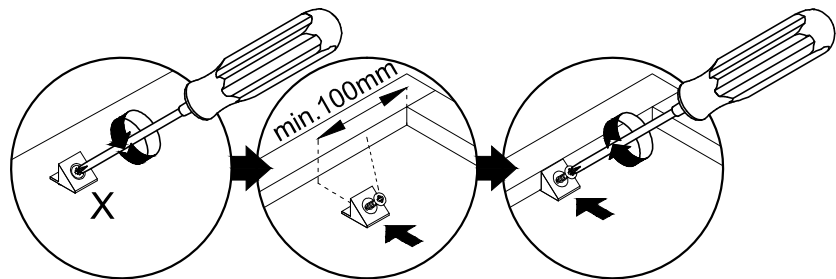
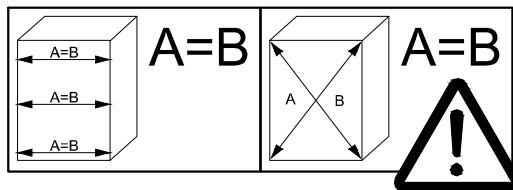
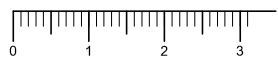
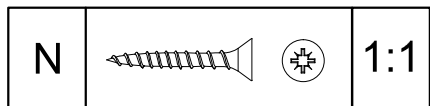
11



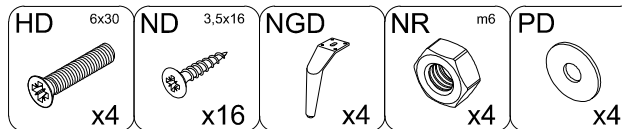
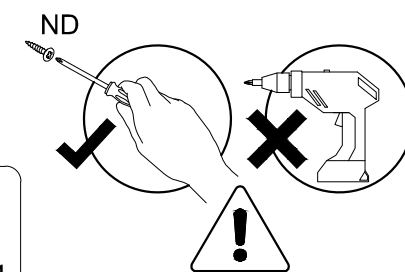
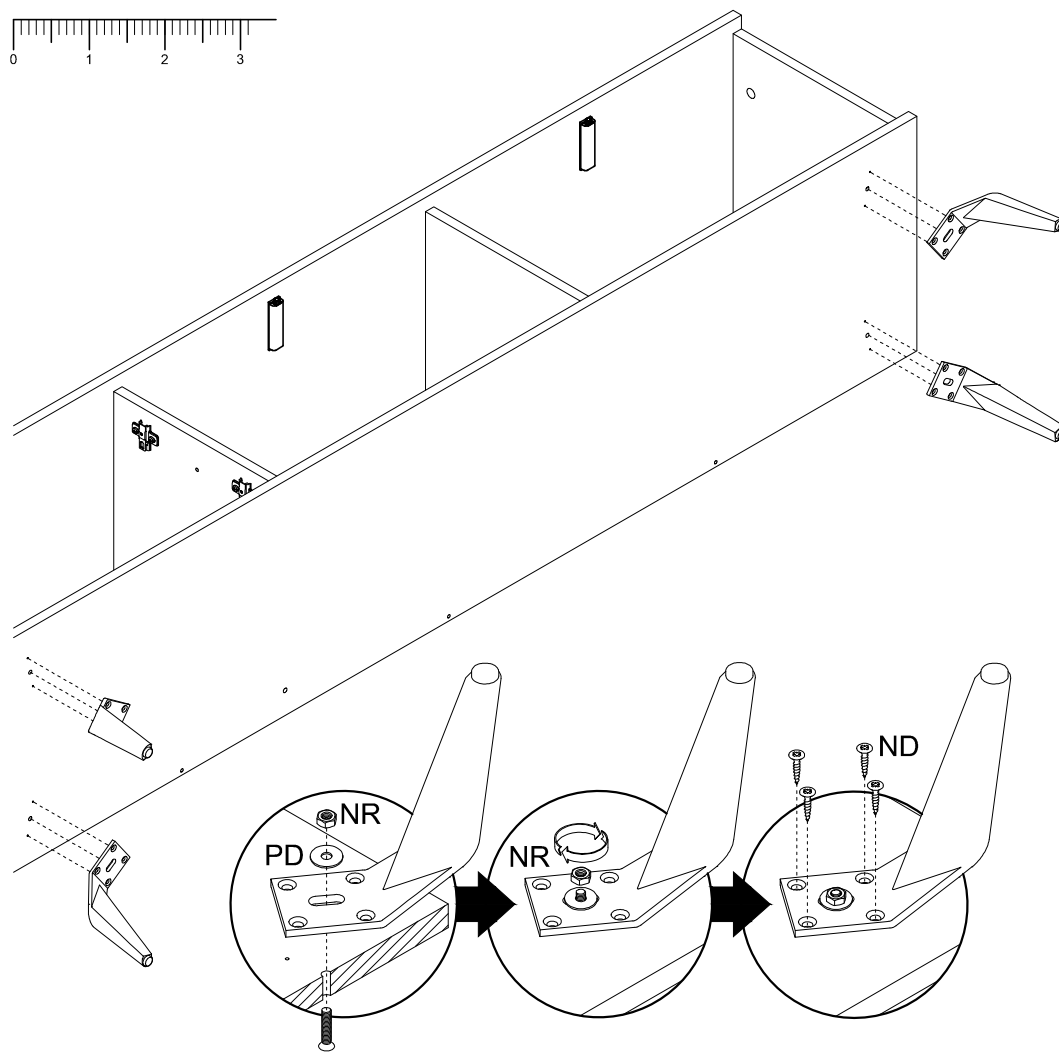
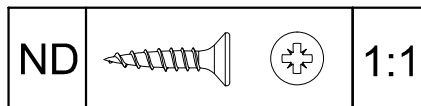
12

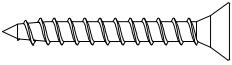



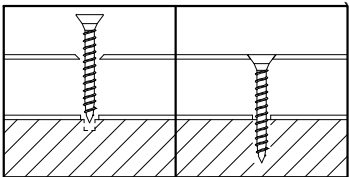
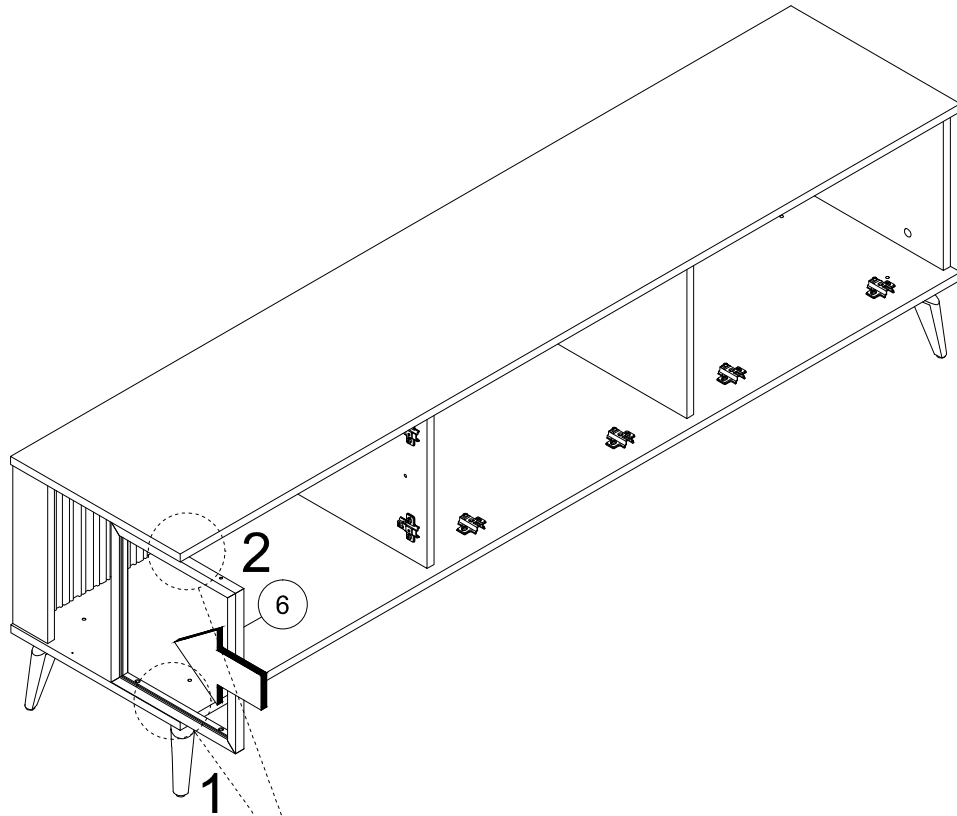
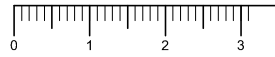
13




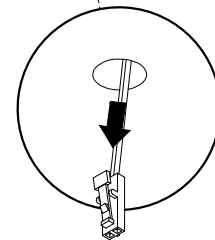
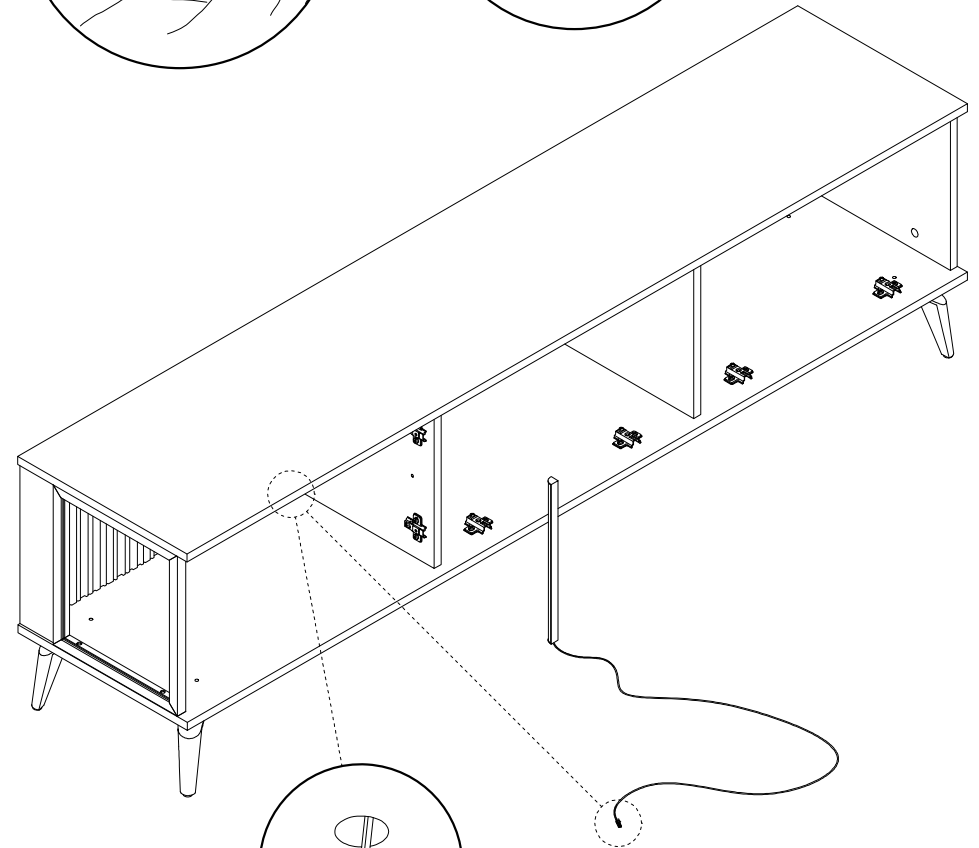
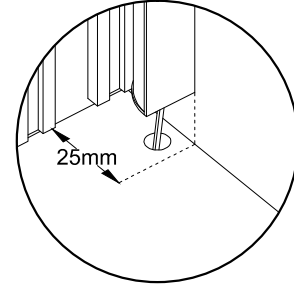
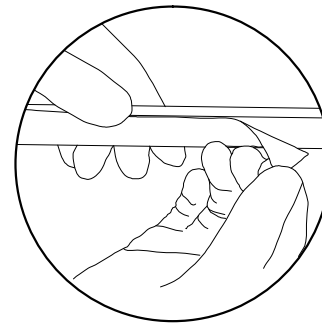
14




W2			1:1
----	--	---	-----

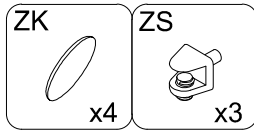
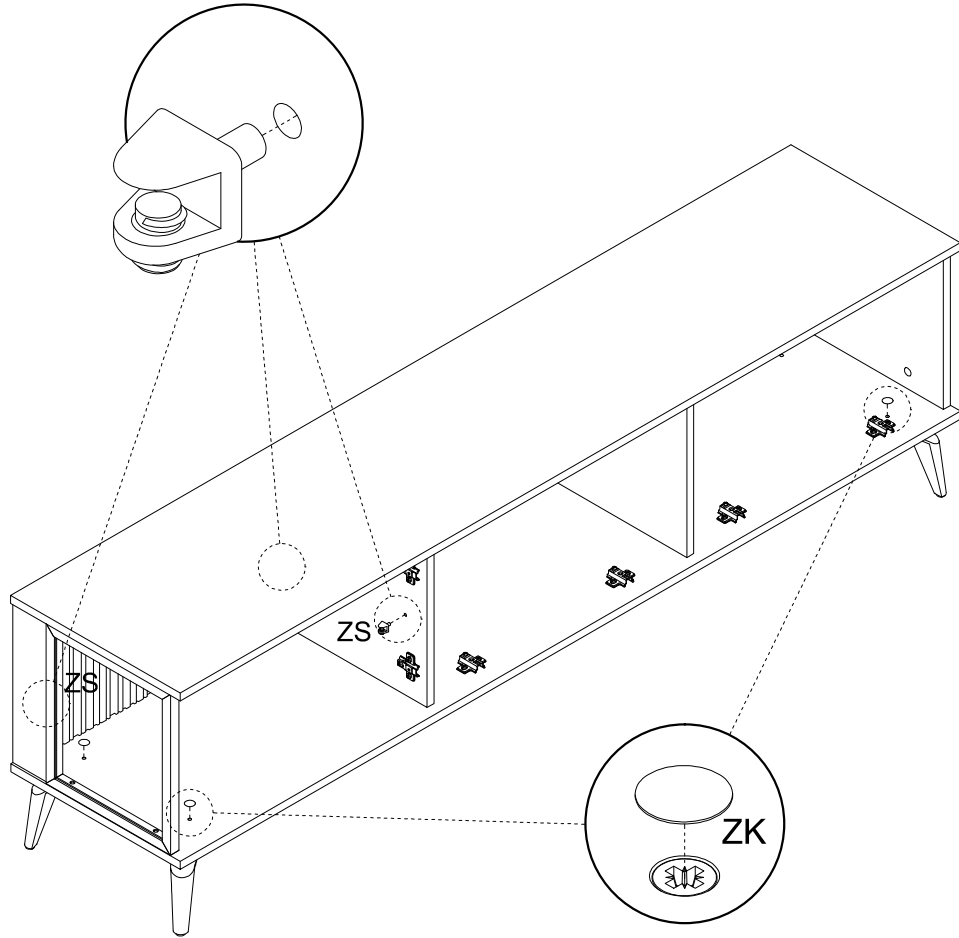


W2	4x30
	
BLACK	x4

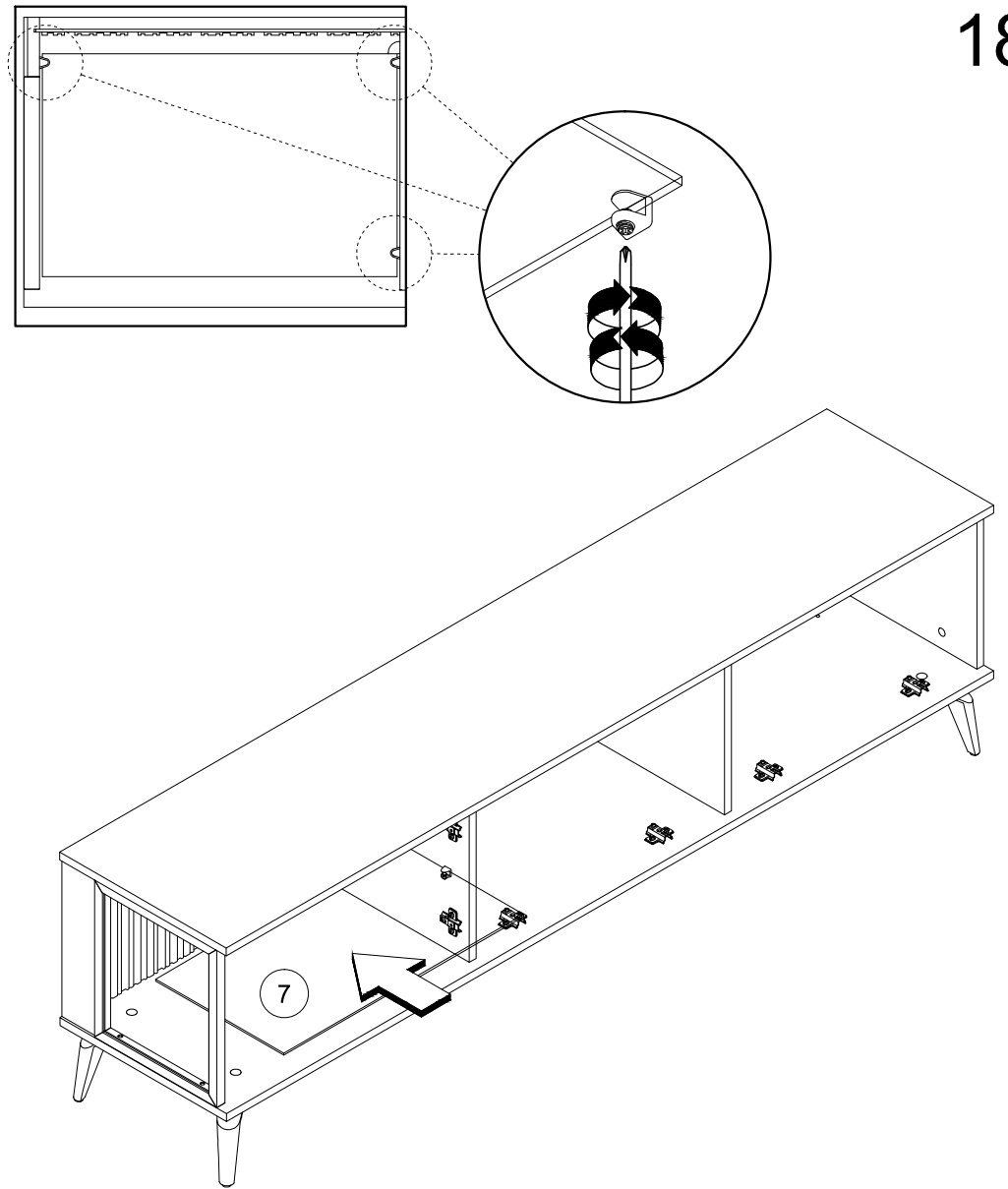


LED	L-318
	
	x1

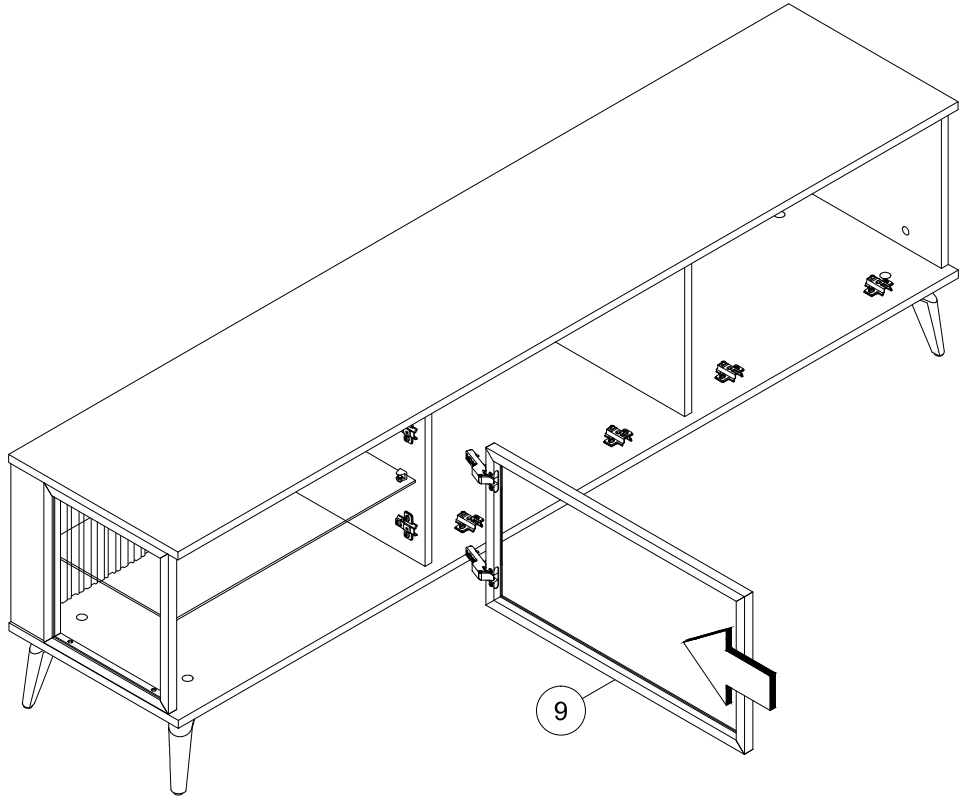
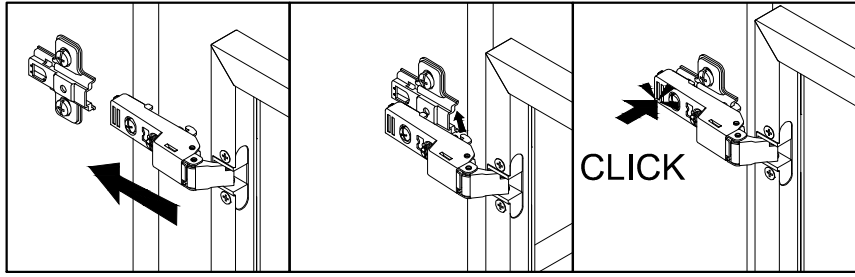
17



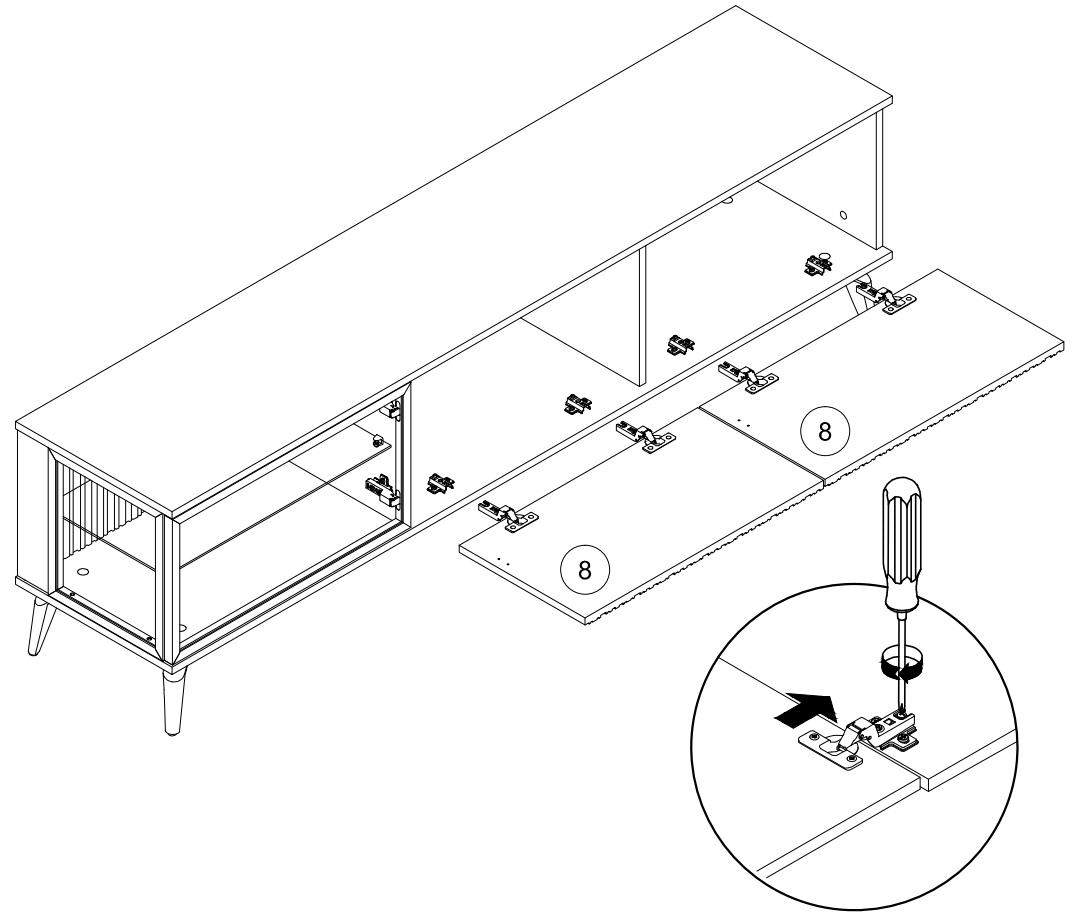
18

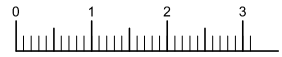
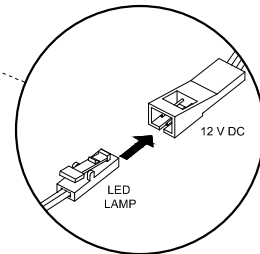
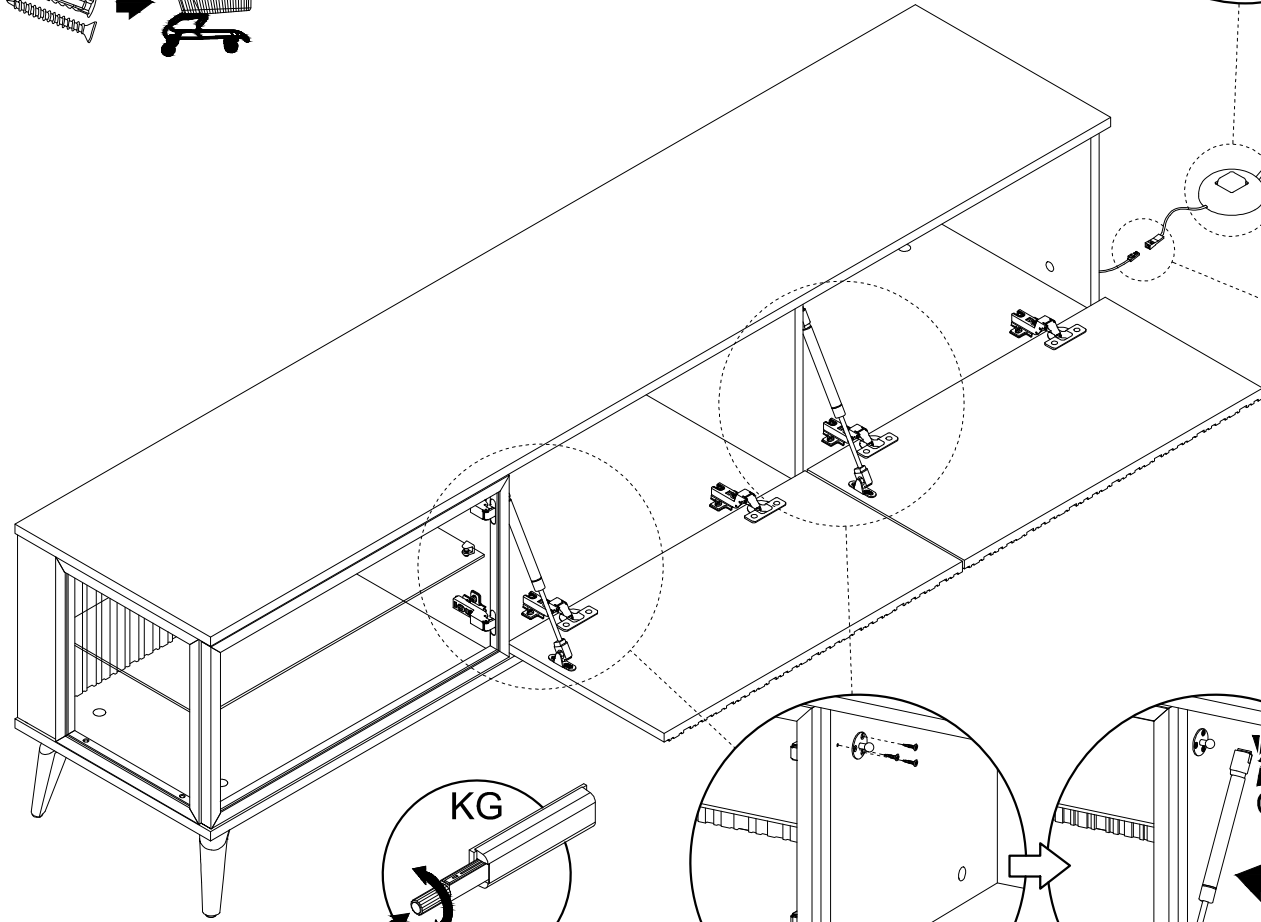
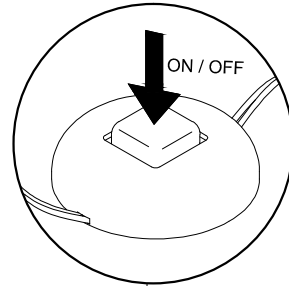
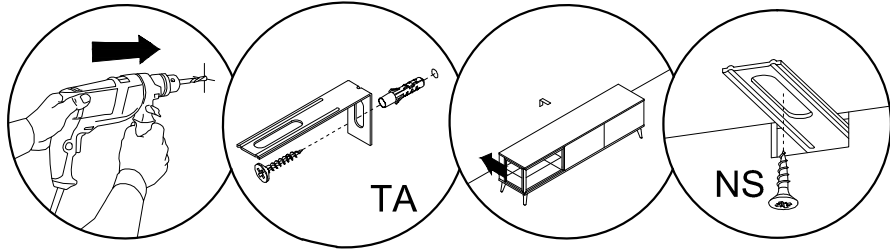


19

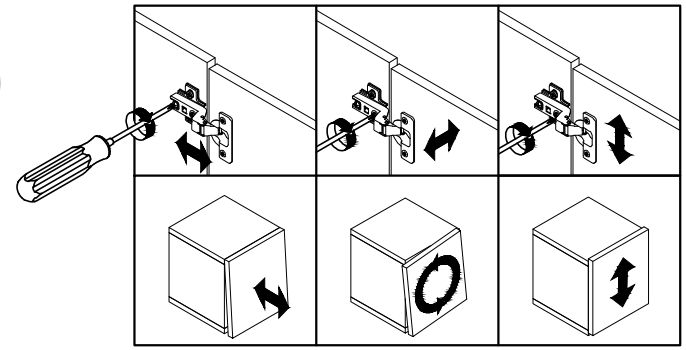
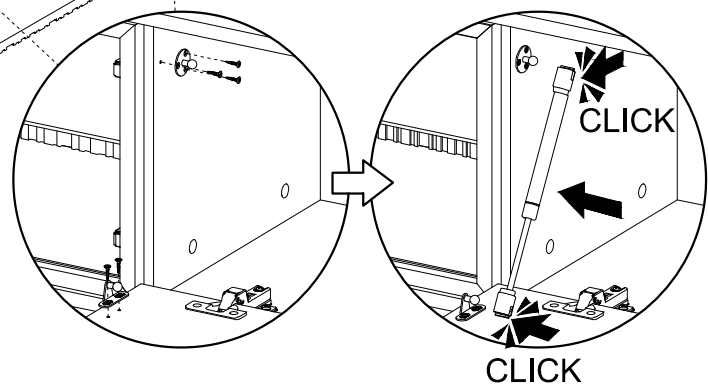
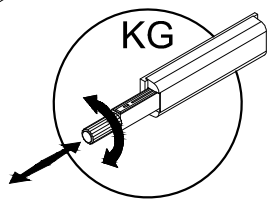


20





NS			1:1
----	--	--	-----



NS 3,5x13 x1	OG x2	TA x1	WTY x1
------------------------	--------------	--------------	---------------